



เพิ่มประสิทธิภาพของงาน ติดตั้งง่ายแต่แข็งแรงปลอดภัย งานสวย ได้มาตรฐาน ประหยัดทั้งเวลาและแรงงาน
 Beautiful working , Good quality, Easy to Installation , Safety , Save labour, Save time and save your money

<p>อุปกรณ์ประกอบแบบ</p>	<p>ADJUSTABLE BASE PLATE เก้าขาปรับระดับ</p> <p>AB-400 (35 x 400) AB-600 (35 x 600)</p>	<p>ADJUSTABLE U-HEAD หัวปรับระดับ</p> <p>AU-400 (35 x 400) AU-600 (35 x 600)</p>	<p>U-HEAD หัวต่อหัว U</p> <p>UH-100</p>
<p>• COLUMN CLAMP • เหล็กรัดเสา แบบเหล็กเสา</p>	<p>• CORNER ANGLE FORM • แบบมุม</p> <p>ยูกีบ</p>	<p>• FLAT FACE FORM • แบบเหล็กเรียบ</p>	
<p>• SCAFFOLDING LAYOUT • นั่งร้านชุด</p>	<p>• PIPE SUPPORT • เสาค้ำยัน</p>	<p>• ROLLING TOWER • หอเลื่อน</p>	

บริษัท ไทยโตคอนส จำกัด Thai Tok Con Co.,Ltd

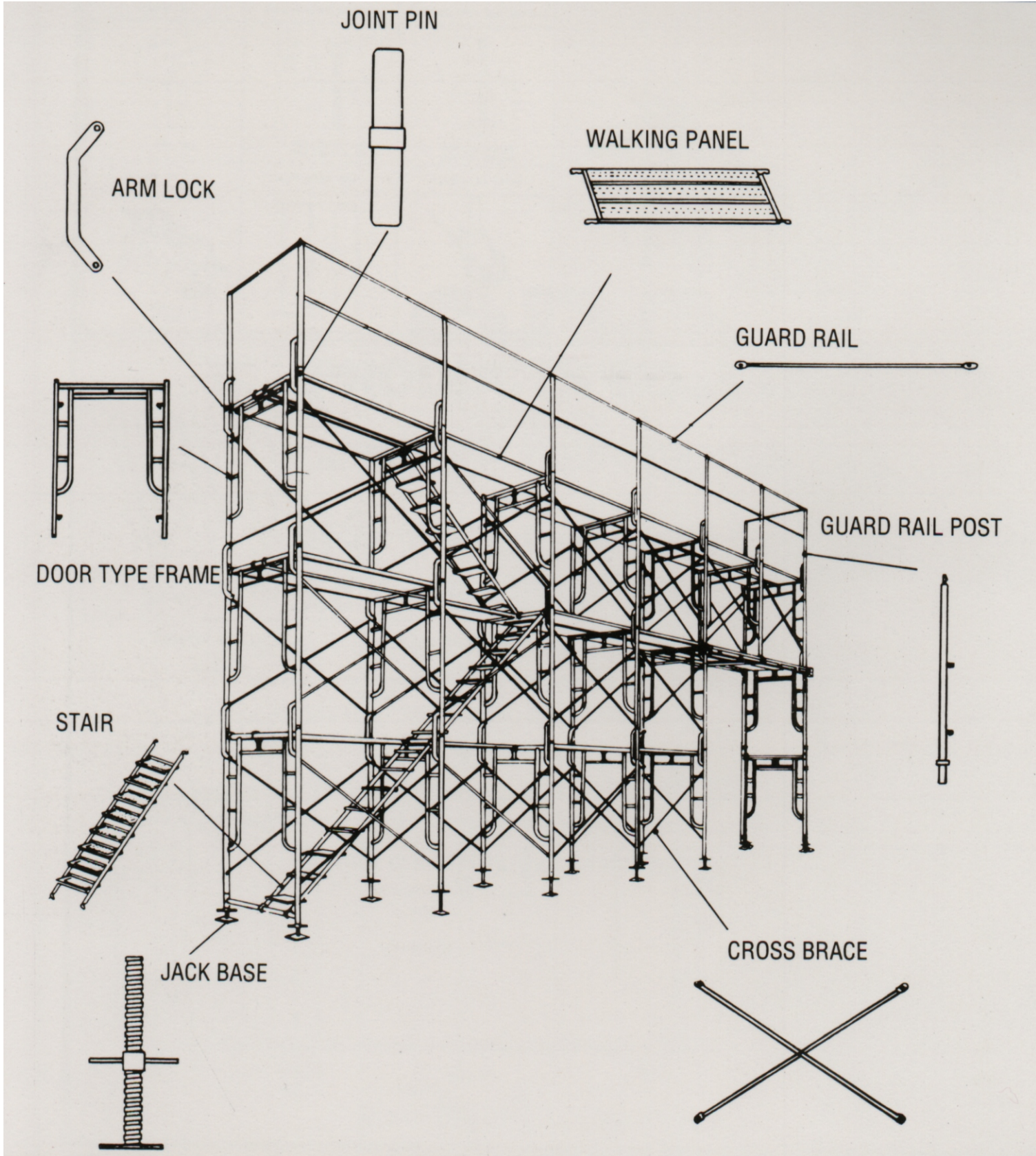


37/14 ม.12 ถ.บางนาตราด กม 12 ต.บางพลีใหญ่ อ.บางพลี จ.สมุทรปราการ 10540

37/14 Moo.12 Bangna-Trad Km.12 Bangplee-Yai Dist.,Bangplee, Samutprakarn 10540

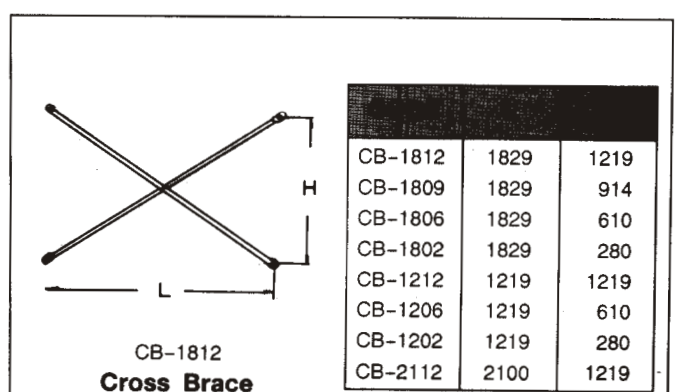
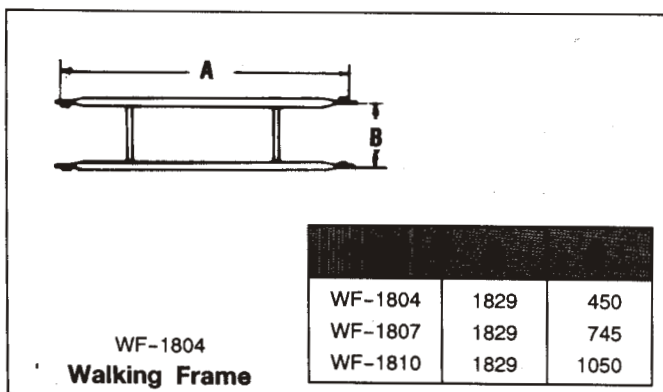
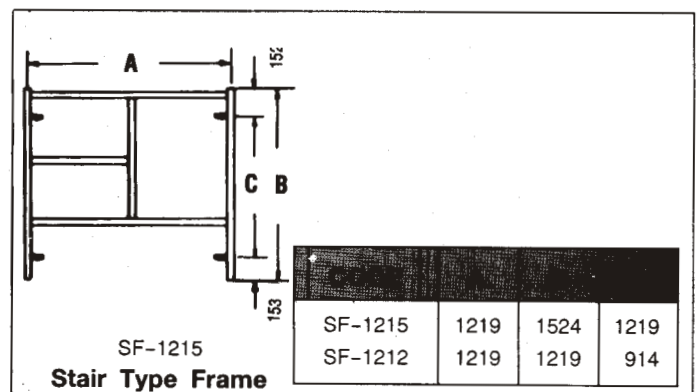
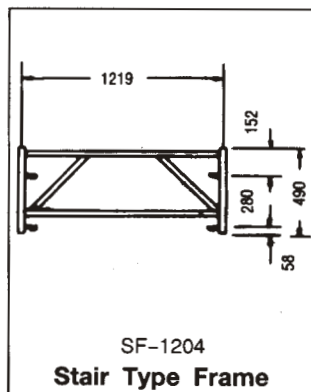
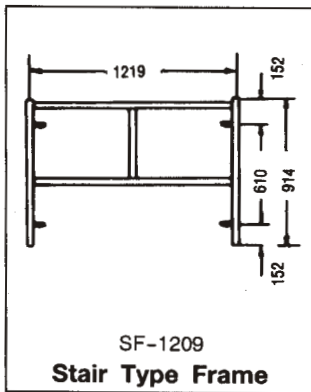
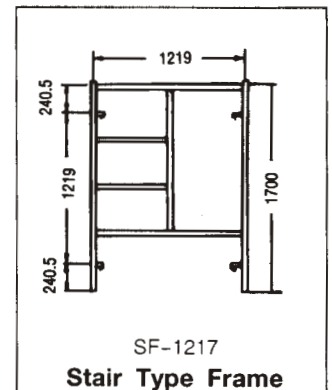
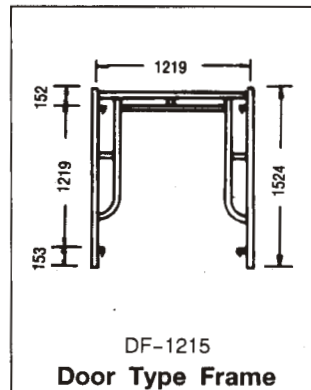
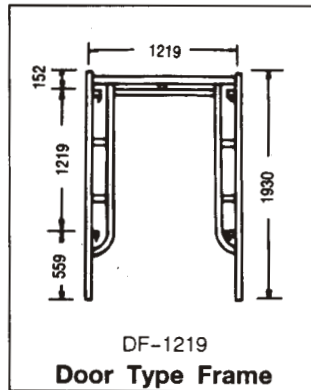
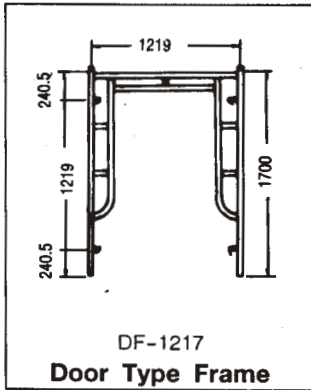
Tel.02-730-7600-2, Fax. 02-730-7603 www.thaianchorbolt.com, email: thaitokcon@yahoo.com

ISO: 9001
ASTM JIS UL



Factory

5/28 Moo.12 Soo Tanasit Teparat Km.15 Bangbar Dist. ,Bangplee, Samutprakarn 10540





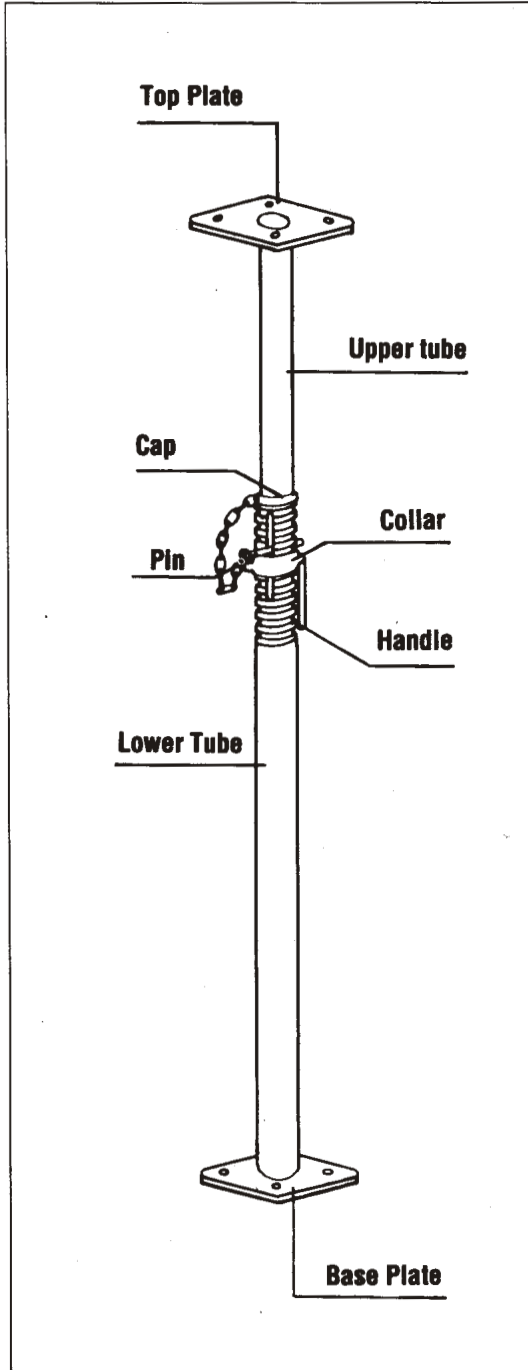
<p>AJ-400 U-Jack</p> <table border="1"> <tr><td>AJ-400</td></tr> <tr><td>AJ-600</td></tr> </table>	AJ-400	AJ-600	<p>JB-400 Jack Base</p> <table border="1"> <tr><td>JB-400</td></tr> <tr><td>JB-600</td></tr> </table>	JB-400	JB-600	<p>UH-1010 U-head</p> <table border="1"> <tr><td>UH-1010</td><td>100</td></tr> <tr><td>UH-1513</td><td>150</td></tr> </table>	UH-1010	100	UH-1513	150
AJ-400										
AJ-600										
JB-400										
JB-600										
UH-1010	100									
UH-1513	150									
<p>WP-1805 Walking Panel</p>	<p>ST-514 Stair</p>	<p>JP-427 Joint Pin</p>								

BP-427
Base Plate

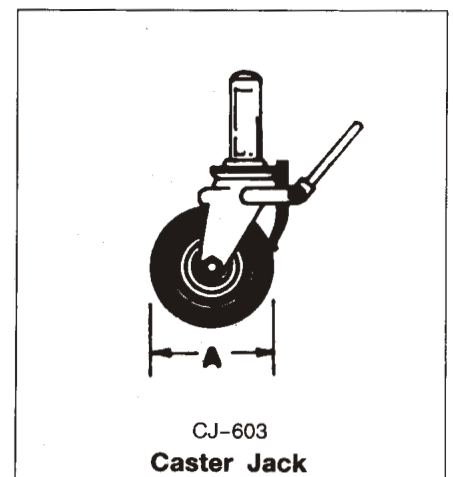
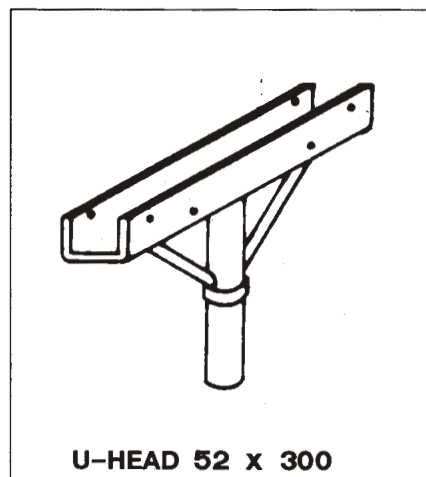
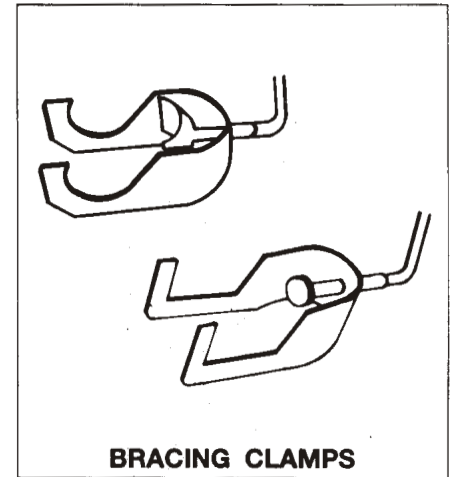
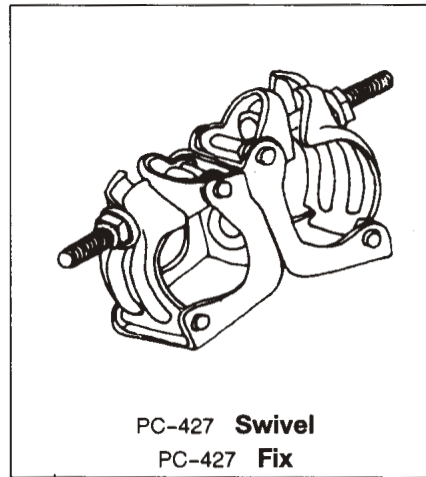
Point of Load						
Max. Load per frame p max.	10 (t)	9.1	7.5	5	3	2.25
Allowable load	5 (t)	3.5	3	2	1.2	1



TECHNICAL DATA



PS-90	2500 mm.	3960 mm.	2 Ton.	1.0 Ton.
PS-75	2040 mm.	3500 mm.	2 Ton.	1.5 Ton.
PS-65	1700 mm.	3000 mm.	2 Ton.	1.7 Ton.
PS-50	2500 mm.	2500 mm.	2 Ton.	2.0 Ton.



บริษัท ไทยโตคอนส จำกัด Thai Tok Con Co.,Ltd

37/14 ม.12 ถ.บางนาตราด กม 12 ต.บางพลีใหญ่ อ.บางพลี จ.สมุทรปราการ 10540

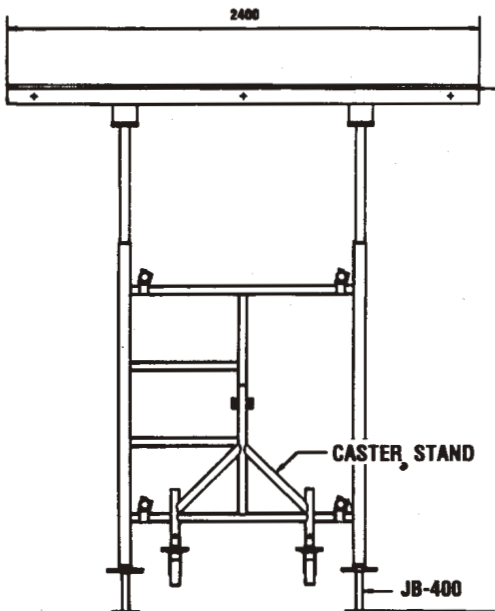
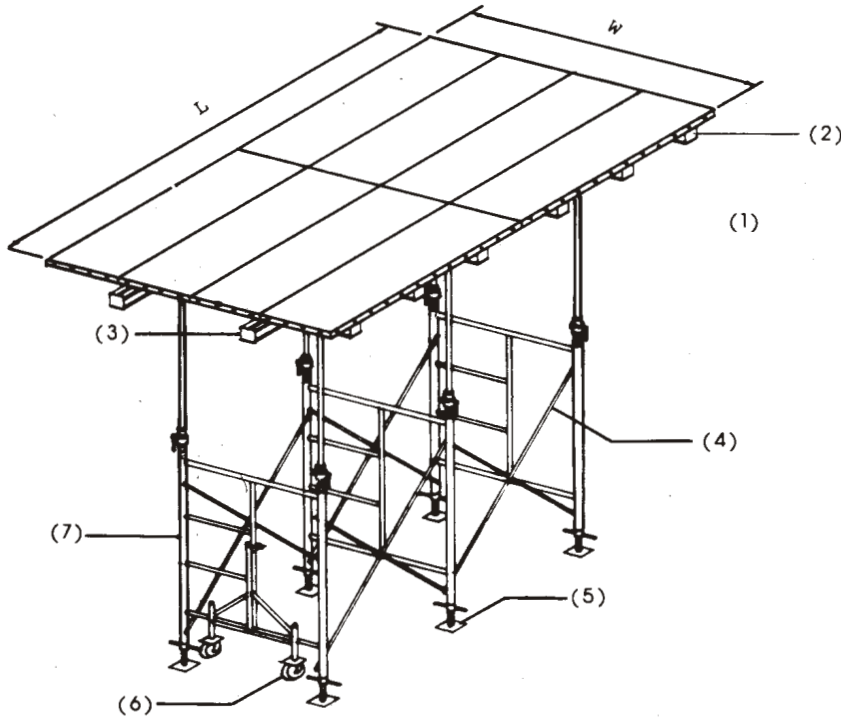
37/14 Moo.12 Bangna-Trad Km.12 Bangplee-Yai Dist.,Bangplee, Samutprakarn 10540

Tel.02-730-7600-2, Fax. 02-730-7603 www.thaianchorbolt.com, email: thaitokcon@yahoo.com



ISO: 9001

ASTM JIS UL



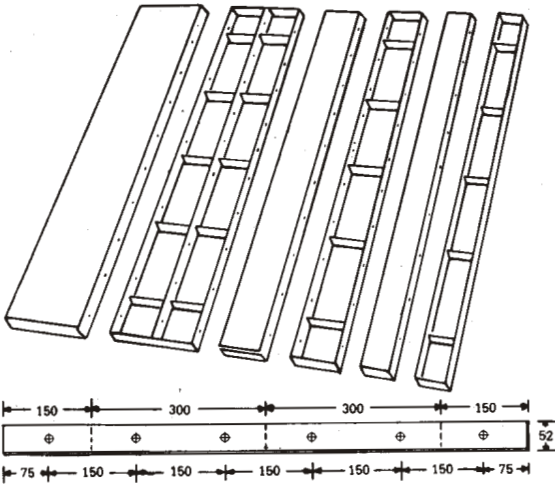
TF-75	2365	4025	10	7
TF-65	2025	3525	10	7
TF-50	1825	3025	10	10

SIZE IN m/m

	3600
2400	3000

Factory

5/28 Moo.12 Soo Tanasit Teparat Km.15 Bangbar Dist. ,Bangplee, Samutprakarn 10540



METAL FORM FOR FLAT FACES

Flat Form

Flat Form is used for forming planes such as those of square columns, walls, slap floors, etc. By combining units of various sizes, Flat Form can be made to serve a wide variety of purpose.

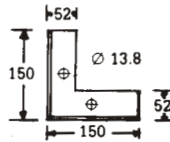
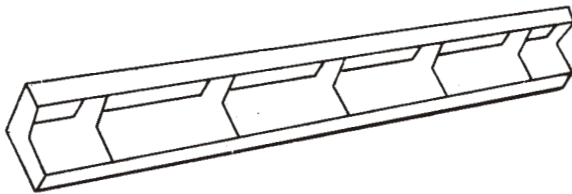
AF	6018 6015 6012 6009 6007 6006	600 X 1800 600 X 1500 600 X 1200 600 X 900 600 X 750 600 X 600	44.5	10.75
AF	4018 4015 4012 4009 4007 4006	400 X 1800 400 X 1500 400 X 1200 400 X 900 400 X 750 400 X 600	33.96	8.43
AF	3018 3015 3012 3009 3007 3006	300 X 1800 300 X 1500 300 X 1200 300 X 900 300 X 750 300 X 600	25.47	6.33
AF	2018 2015 2012 2009 2007 2006	200 X 1800 200 X 1500 200 X 1200 200 X 900 200 X 750 200 X 600	16.99	4.22
AF	1518 1515 1512 1509 1507 1506	150 X 1800 150 X 1500 150 X 1200 150 X 900 150 X 750 150 X 600	15.64	4.07
AF	1018 1015 1012 1009 1007 1006	100 X 1800 100 X 1500 100 X 1200 100 X 900 100 X 750 100 X 600	13.75	3.84



Inside Corner Form

Inside Corner Form is designed to form the right angle edge line of a structure in conjunction with Flat Forms.

INSIDE CORNER FORM (I.C.)



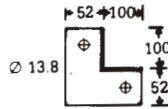
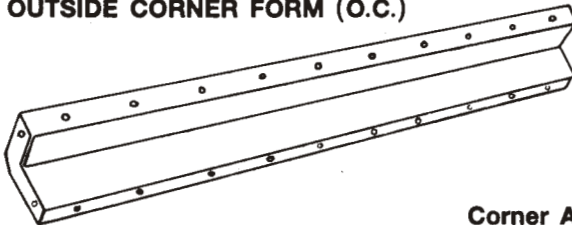
SIZE IN m/m

	1800
100 x 100	1500
100 x 150	1200
150 x 150	900
	750
	600

Outside Corner Form

Outside Corner Form is designed to form the right external angle edge line of a structure.

OUTSIDE CORNER FORM (O.C.)



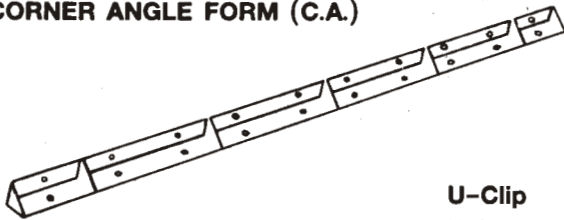
SIZE IN m/m

	1800
100 x 100	1500
100 x 150	1200
150 x 150	900
	750
	600

Corner Angle

Corner Angle is used for forming external angles, such as at the four corners of column, between the side and the bottom of a beam at the corner of a wall, etc.

CORNER ANGLE FORM (C.A.)



SIZE IN m/m

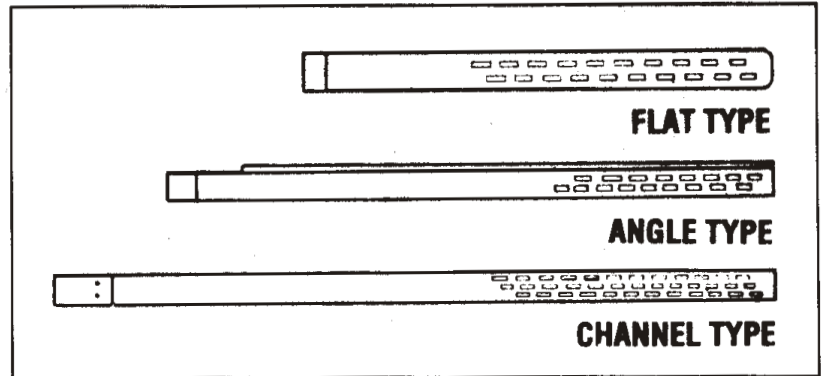
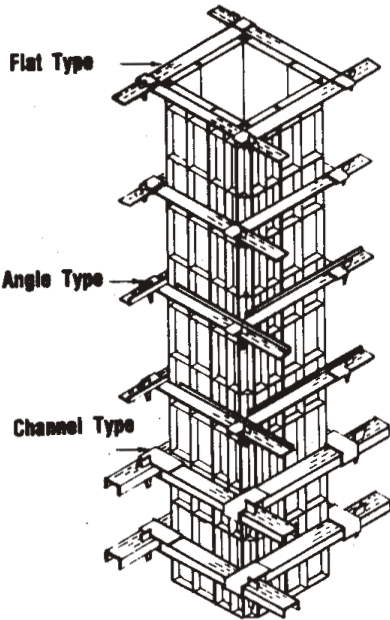
1800	900
1500	750
1200	600

U-Clip

U-Clip is specially designed to securely fasten the various Metal Forms lengthwise and crosswise, They insure speedy crection and disassembly of forms.

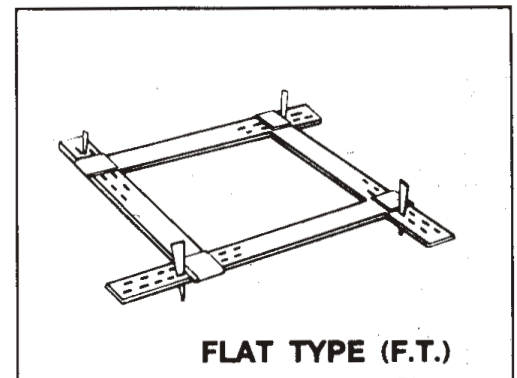
U-CLIP





FLAT TYPE

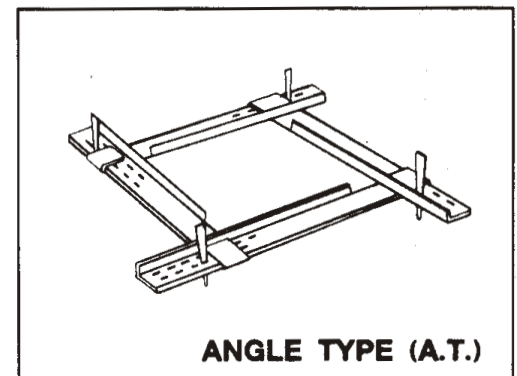
SS		1580	540-1360
S1		1420	430-1200
S2		1150	300-920
S3		840	300-620
W1		770	150-550



FLAT TYPE (F.T.)

ANGLE TYPE

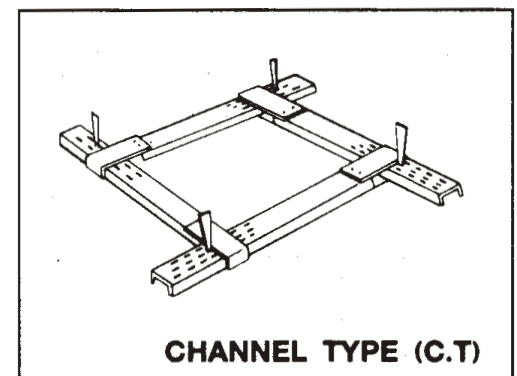
A-150		1720	1000-1500
A-120		1420	700-1200
A-100		1220	500-1000



ANGLE TYPE (A.T.)

CHANNEL TYPE

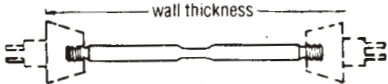
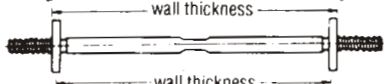
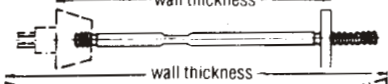

3H-180		2105	950-1820
3H-150		1805	820-1520
3H-130		1605	500-1320
3H-100		1305	320-1020
3H-80		1105	300-820

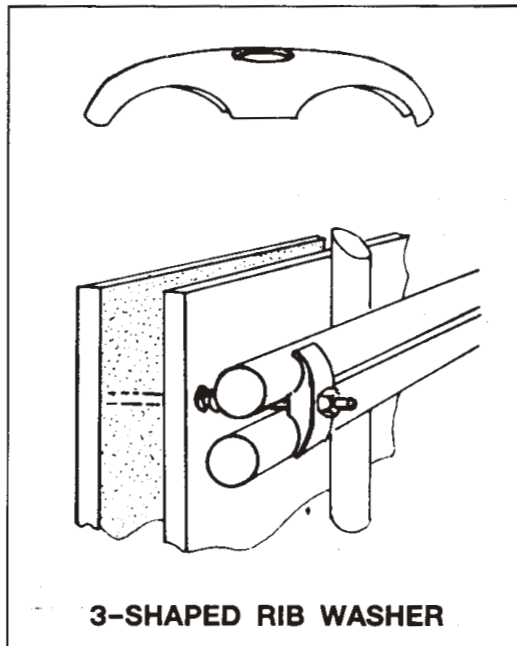
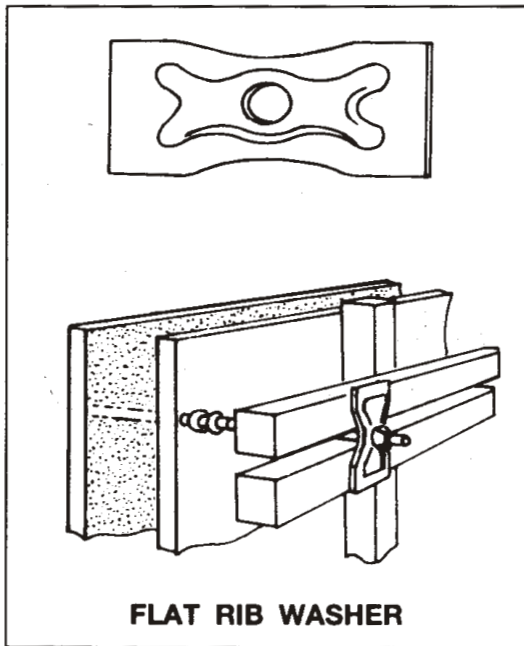


CHANNEL TYPE (C.T.)



INNER UNIT (Specification)

	Wall thickness	
INNER UNIT B		Both sides exposed W 3/8
INNER UNIT C		Both side finished W 3/8
INNER UNIT BC		One side finished and other side exposed. W 3/8
INNER UNIT D		Both sides exposed W 1/2

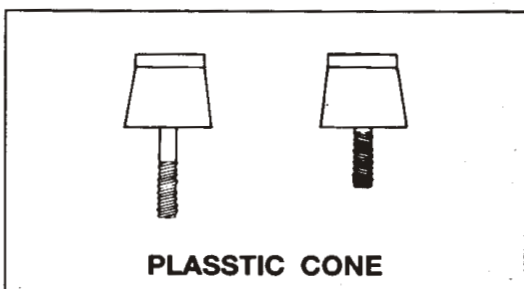


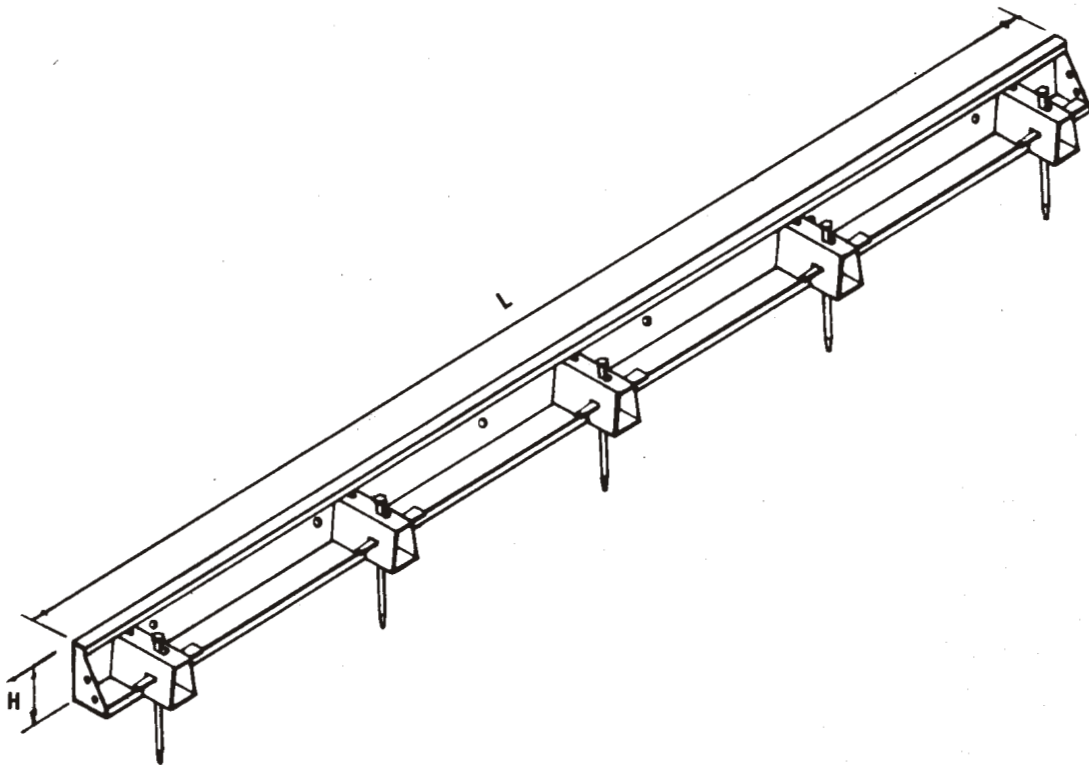
ACCESSORY TOOLS
form Tie Spanner



to be used to fasten form Tie
and Inner Unit and remove them

BOX Spanner D and B
to be used to remove cone





Road Form is a simple form to be used in case when a road finisher is not employed.

* Road Form of non standardized type is designed and manufactured to order.

How to order :

Please specify the following items.

1. Overall length of road and length of concrete to be placed at a time.
2. Use or absence of road finisher.
3. Thickness of concrete pavement.

150 (mm.)	3000 (mm.)	3 (mm.)
200	3000	3
250	3000	3